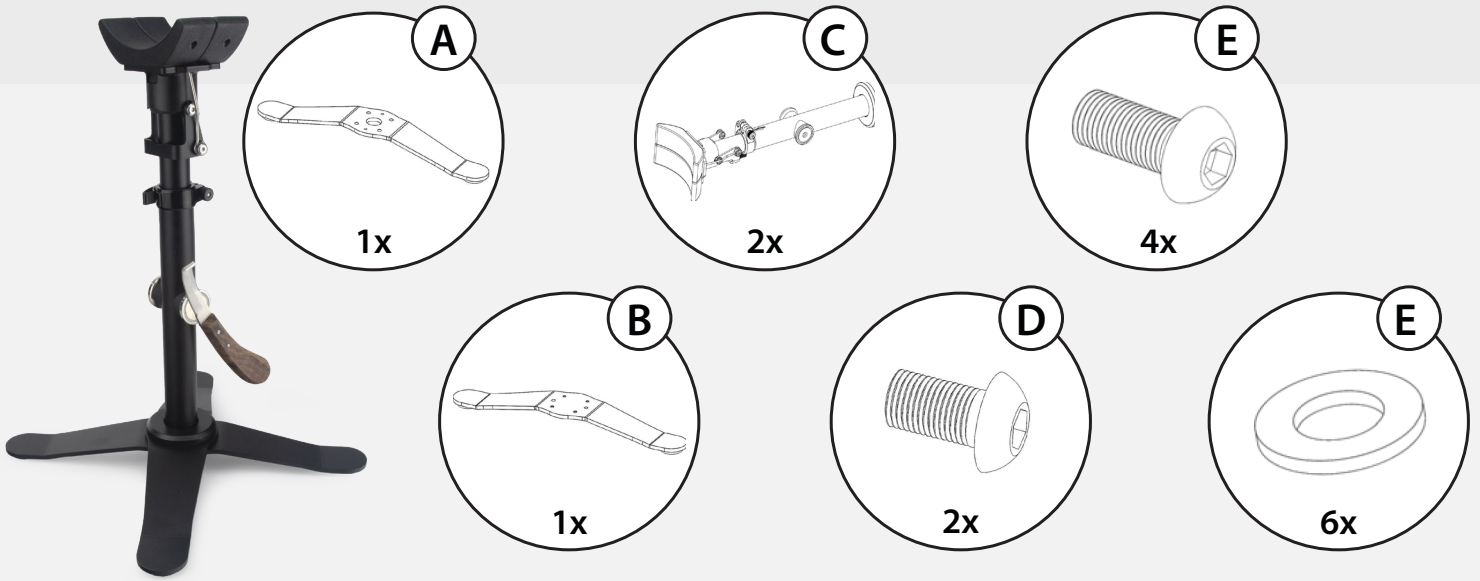


HOOF FARRIER STAND

Assembly Instructions

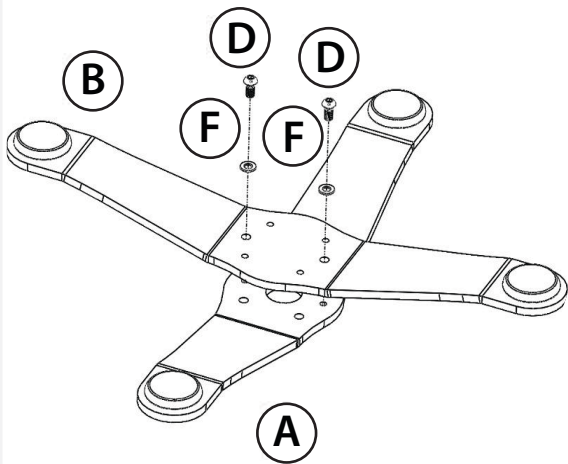


PARTS



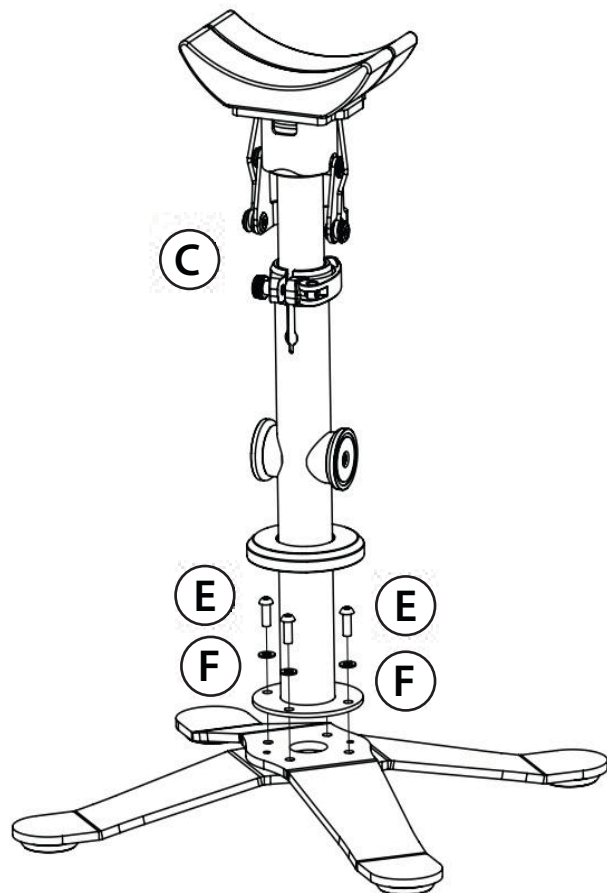
1

Screw all the bolts tightly



2

Attach base to pole

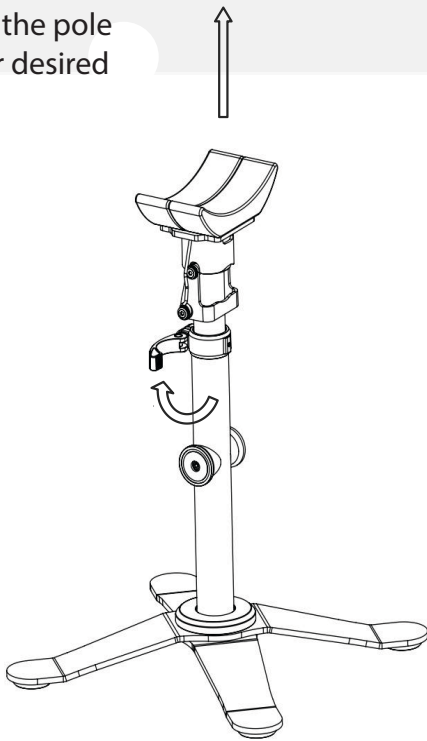


HOOF FARRIER STAND

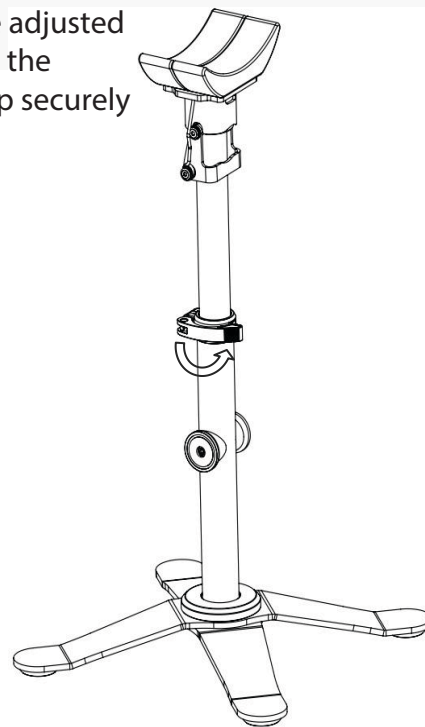
Assembly Instructions



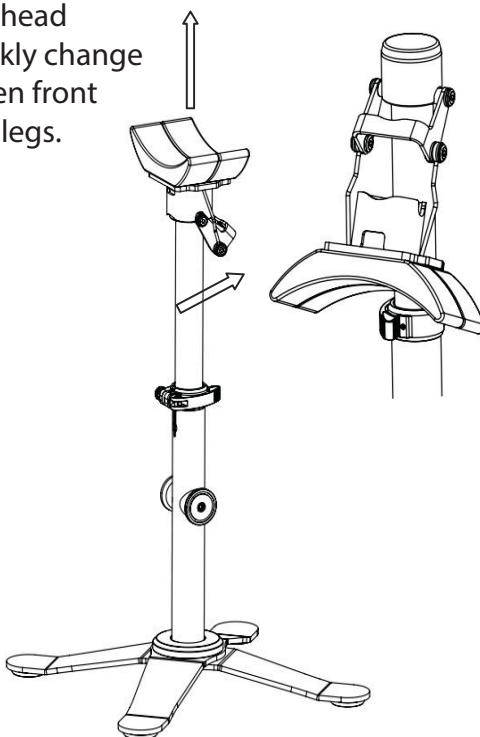
3 Adjust the pole to your desired height



4 Once adjusted close the clamp securely



5 Adjust head to quickly change between front & hind legs.



6 Once adjusted, lock in clamps.

