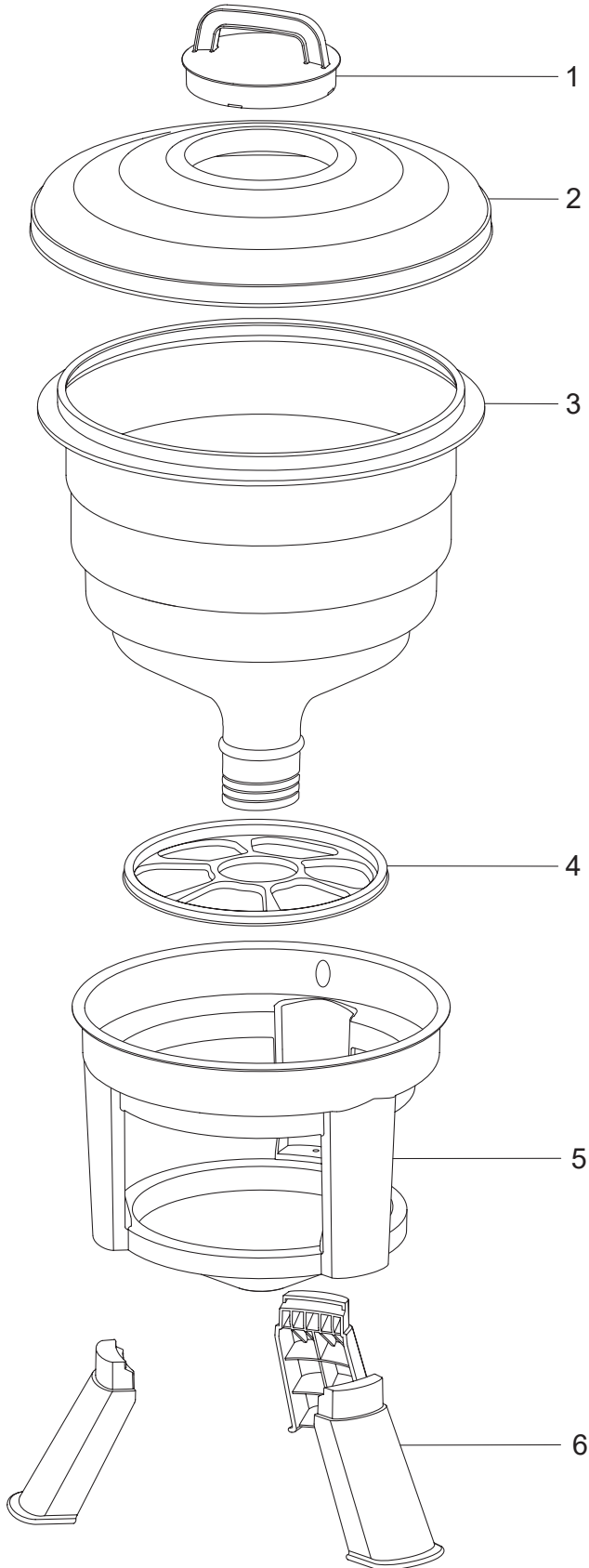


# POULTRY PLASTIC FEEDER TANKSTAND - 30L

Assembly  
Instructions



No.	PART DESCRIPTION
1	COVER/CAP
2	TOP
3	30L TANK
4	ANTI-WASTE WHEEL
5	BASE SUPPORT
6	LEGS